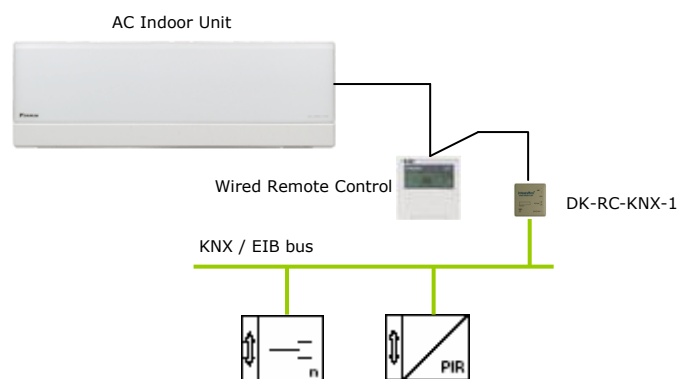


IntesisBox® DK-RC-KNX-1

Interface KNX for DAIKIN Air Conditioners (SKY & VRV)



IntesisBox® DK-RC-KNX-1 allows monitoring and control, fully bi-directionally, all the functioning parameters of DAIKIN Air Conditioners from KNX installations. Compatible with all SKY Air and VRV models commercialised by DAIKIN (see table of compatible models at the end of this document).

Small dimensions and easy installation. It is connected to the wired Remote Control of the AC indoor unit in one side, which can be hidden into an electrical installation cabinet, and in the other side it connects directly to the KNX TP-1 (EIB) bus. The maximum bus distance between the AC Indoor Unit, the Remote Control and the Interface is 500 meters (see *Connections* section).

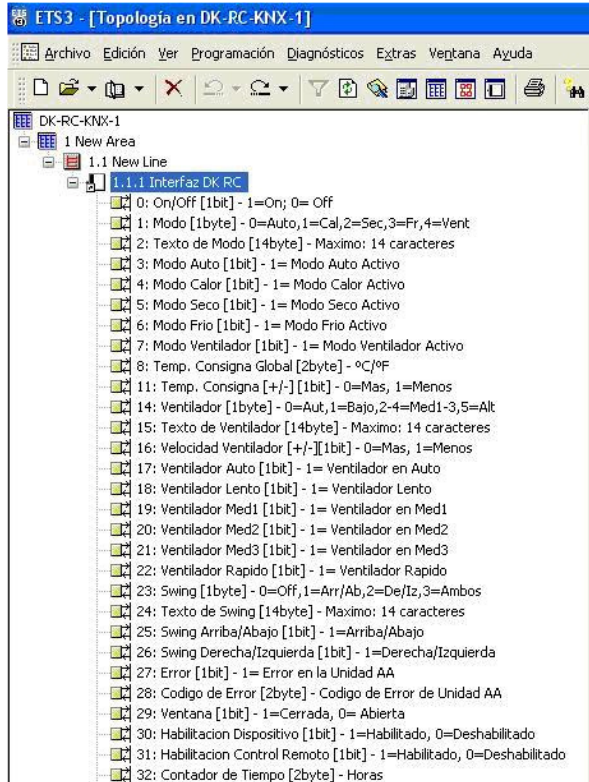
Great flexibility of integration into your KNX projects. Configuration is made directly from ETS, the database of the device comes with a complete set of communication objects allowing, from a simple and quick integration using the basic objects, to the most advanced integration with monitoring and control all the AC unit's parameters. Also available specific device's communication objects, as for example save and execute scenes.

Allows single or dual Temperature Setpoint (different for Cool Mode and for Heat Mode) from KNX (configurable by parameters), and also allows the use of a KNX temperature sensor for the air conditioning control.

IntesisBox® DK-RC-KNX-1 will allow you offering a full integration of the air conditioning in your KNX projects at a very affordable cost.

Communication objects

The ETS database of the device comes with multiple communication objects allowing great flexibility of integration.



Function	Object Type	R	W
On/Off	1 Bit	✓	✓
Ambient Temperature	2 Bytes	✓	
Virtual Ambient Temperature ¹	2 Bytes		✓
Temperature Setpoint ²	2 Bytes	✓	✓
Operation Mode	1 Byte 1 Bit Text ³ 1 Bit (Heat/Cool) ⁴	✓ ✓ ✓	✓ ✓ ✓
Fan Speed	1 Byte 1 Bit Text ³	✓ ✓ ✓	✓ ✓ ✓
Swing	1 Byte 1 Bit Text ³	✓ ✓ ✓	✓ ✓ ✓
Error in AC Unit	1 Bit	✓	
Error Code	2 Bytes	✓	
Save/Execute Scene ⁵	1 Byte 1 Bit		✓ ✓
Current Scene ⁵	1 Byte	✓	
Device Enable	1 Bit	✓	✓
AC Unit's Remote Control Enable	1 Bit	✓	✓
Running Hours	2 Bytes	✓	✓
Window Contact	1 Bit		✓
Presence ⁶	1 Bit		✓

¹ Only in case of "Virtual Temperature", to use a KNX temperature sensor for the air conditioning control.

² Single or Dual (different setpoint for Cool Mode and for Heat Mode), configurable by parameters.

³ String-type object (14 characters), the text is configurable in device's parameters.

⁴ Specific bit-type object to force operating mode to Heat or to Cool.

⁵ Up to 5 scenes can be saved and executed. A scene is a desired set for: Operation Mode, Temperature Setpoint, Fan Speed, and Swing.

⁶ For energy saving. Bit-type object to change the settings of the AC unit according to the occupancy of the room signalled by a presence detector, by parameters it can be configured to automatically switch ON/OFF the unit or to reduce the temperature setpoint in 1, 2, 3 or 4 degrees.

Parameters

Multiple parameters can be configured to ensure the maximum flexibility for the integration, not only in functionality of the device but in visibility of objects in ETS for a more comfortable integrator's work.

Window minutes	<input type="text" value="0"/>
Send object values to KNX bus on startup	<input type="text" value="Yes"/>
When window closes go to last state	<input type="text" value="No"/>
Virtual temperature control	<input type="text" value="Yes"/>

Show Device Objects	<input type="text" value="Yes"/>
Show Mode bits	<input type="text" value="Yes"/>
Show Fan bits	<input type="text" value="Yes"/>
Show Swing Bits	<input type="text" value="Yes"/>
Show Auto Details	<input type="text" value="Yes"/>
Enable Mode/Fan/Swing Texts	<input type="text" value="Yes"/>

Mode Auto text	<input type="text" value="Auto"/>
Mode Heat text	<input type="text" value="Heat"/>
Mode Dry text	<input type="text" value="Dry"/>
Mode Fan text	<input type="text" value="Fan"/>
Mode Cool text	<input type="text" value="Cool"/>

TRADEMARKS: All trademarks and tradenames used in this document are acknowledged to be the copyright of their respective holders.

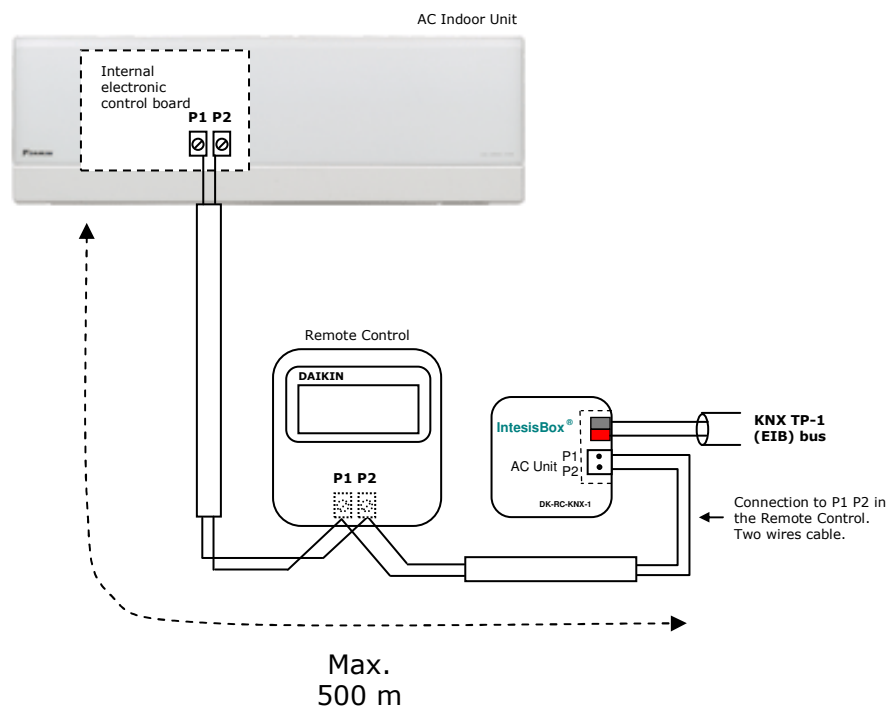


АРКТИКА
WWW.ARKTIKA.RU

– официальный дистрибьютор

INTESIS
SOFTWARE, SL

Connections



Technical Specifications

Dimensions (approx.)	70 X 70 X 28 mm
Weight (approx.)	70 g
EIB Current Consumption	5 mA
Operation Temperature	-25 . . . 85°C
Stock Temperature	-40 . . . 85°C
Isolation Voltage	4000 V

TRADEMARKS: All trademarks and tradenames used in this document are acknowledged to be the copyright of their respective holders.



АРКТИКА
WWW.ARKTIKA.RU

– официальный дистрибьютор

INTESIS
SOFTWARE, SL

AC Indoor Unit's models compatible with the interface

COMMERCIAL **SKY-AIR** LINE

SUB-LINE	MODEL
CONCEALED CEILING	FDBQ25B
	FBQ35B
	FBQ50B
	FBQ60B
	FBQ71B
	FBQ100B
	FBQ125B
	FBQ140B
CEILING CASSETTE 4 VIAS 600 X 600	FFQ25B
	FFQ35B
	FFQ50B
	FFQ60B
CEILING CASSETTE ROUND FLOW	FCQ35C
	FCQ50C
	FCQ60C
	FCQ71C
	FCQ100C
	FCQ125C
	FCQ140C
CEILING SUSPENDED	FHQ35B
	FHQ50B
	FHQ60B
	FHQ71B
	FHQ100B
	FHQ125B

SUB-LINE	MODEL
VERTICAL FLOOR	FVQ71B
	FVQ100B
	FVQ125B
WALL	FAQ71B
	FAQ100B
CEILING CASSETTE SUSPENDED	FUQ71B
	FUQ100B
	FUQ125B
CEILING CASSETTE ROUND FLOW CMS	FMCQ50A
	FMCQ60A
	FMCQ71A
	FMCQ100A
	FMCQ125A
CONCEALED CEILING CMS	FMDQ50B
	FMDQ60B
	FMDQ71B
	FMDQ100B
	FMDQ125B
CONCEALED CEILING HIGH PRESSURE	FDQ125B
	FDQ200B
	FDQ250B

Any other model not listed consult.



LARGE COMMERCIAL VRV LINE

SUB-LINE	MODEL
CEILING CASSETE 2-WAY	FXCQ20M8
	FXCQ25M8
	FXCQ32M8
	FXCQ40M8
	FXCQ50M8
	FXCQ63M8
	FXCQ80M8
	FXCQ125M8
CEILING CASSETE ROUND FLOW	FXFQ20P
	FXFQ25P
	FXFQ32P
	FXFQ40P
	FXFQ50P
	FXFQ63P
	FXFQ80P
	FXFQ100P
	FXFQ125P
CEILING CASSETE 4-WAY 600 X 600	FXZQ20M9
	FXZQ25M9
	FXZQ32M9
	FXZQ40M9
	FXZQ50M9
CEILING CASSETE CORNER BLOW	FXKQ25MA
	FXKQ32MA
	FXKQ40MA
	FXKQ63MA
CEILING SUSPENDED	FXHQ32MA
	FXHQ63MA
	FXHQ100MA
CEILING SUSPENDED	FXUQ71MA
	FXUQ100MA
	FXUQ125MA
CONCEALED CEILING	FXSQ20P
	FXSQ25P
	FXSQ32P
	FXSQ40P
	FXSQ50P
	FXSQ63P
	FXSQ80P
	FXSQ100P
	FXSQ125P

SUB-LINE	MODEL
CONCEALED CEILING SLIM SILOUETTE	FXDQ20P
	FXDQ25P
	FXDQ32P
	FXDQ40NA
	FXDQ50NA
	FXDQ60NA
CONCEALED CEILING SLOW PRESSURE	FXDQ20M9
	FXDQ25M9
CONCEALED CEILING COMPACT	FXMQ40P
	FXMQ50P
	FXMQ63P
	FXMQ80P
	FXMQ100P
	FXMQ125P
CONCEALED CEILING HIGH PRESSURE	FXMQ200MA
	FXMQ250MA
FLOOR STANDING UNITS WITH ENVELOPE	FXLQ20MA
	FXLQ25MA
	FXLQ32MA
	FXLQ40MA
	FXLQ50MA
	FXLQ63MA
FLOOR STANDING UNITS WITHOUT ENVELOPE	FXNQ20MA
	FXNQ25MA
	FXNQ32MA
	FXNQ40MA
	FXNQ50MA
	FXNQ63MA
WALL	FXAQ20MA
	FXAQ25MA
	FXAQ32MA
	FXAQ40MA
	FXAQ50MA
	FXAQ63MA

Any other model not listed consult.

TRADEMARKS: All trademarks and tradenames used in this document are acknowledged to be the copyright of their respective holders.



АРКТИКА
WWW.ARKTIKA.RU

— официальный дистрибьютор

INTESIS
SOFTWARE SL